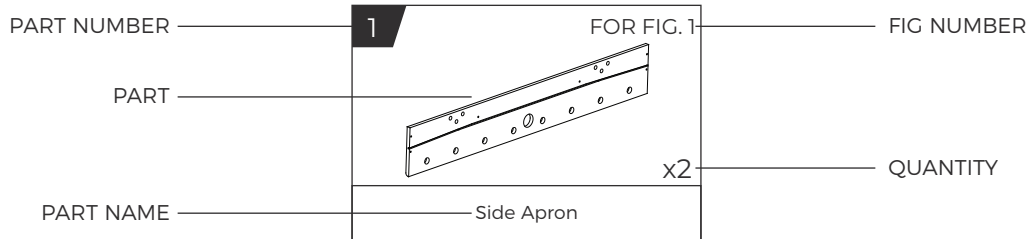
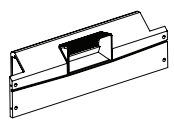
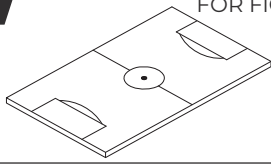
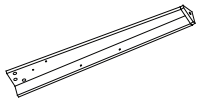
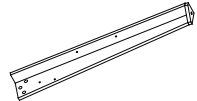
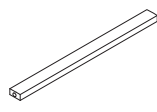
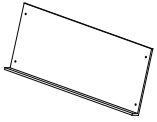
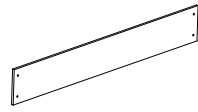
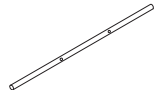
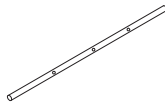
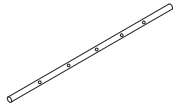


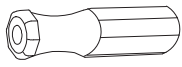

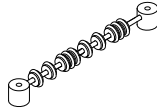
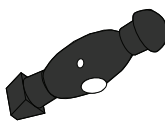
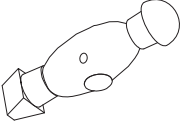
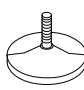
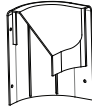




PARTS IDENTIFIER

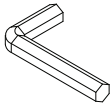
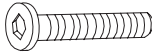

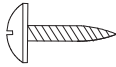
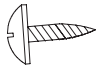
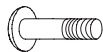
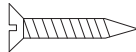
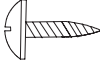



<p>2 FOR FIG. 1, 3</p>  <p>x2</p> <p>End Apron</p>	<p>3 FOR FIG. 2</p>  <p>x1</p> <p>Playfield</p>	<p>4 FOR FIG. 5</p>  <p>x2</p> <p>Left Leg</p>	<p>5 FOR FIG. 5</p>  <p>x2</p> <p>Right Leg</p>
<p>6 FOR FIG. 4</p>  <p>x2</p> <p>Support Brace</p>	<p>7 FOR FIG. 7</p>  <p>x2</p> <p>End Leg Panel</p>	<p>8 FOR FIG. 6</p>  <p>x2</p> <p>Side Leg Panel</p>	<p>9 FOR FIG. 10</p>  <p>x2</p> <p>2-Hole Rod</p>
<p>10 FOR FIG. 10</p>  <p>x4</p> <p>3-Hole Rod</p>	<p>11 FOR FIG. 10</p>  <p>x2</p> <p>5-Hole Rod</p>	<p>12 FOR FIG. 10</p>  <p>x16</p> <p>Rod Washer</p>	<p>13 FOR FIG. 10</p>  <p>x16</p> <p>Foam Bumper</p>
<p>14 FOR FIG. 11</p>  <p>x8</p> <p>Handle</p>	<p>15 FOR FIG. 11</p>  <p>x8</p> <p>Rod End Cap</p>	<p>16 FOR FIG. 9</p>  <p>x2</p> <p>Scorer</p>	<p>17 FOR FIG. 10</p>  <p>x13</p> <p>Player - Black</p>
<p>18 FOR FIG. 10</p>  <p>x13</p> <p>Player - White</p>	<p>19 FOR FIG. 6</p>  <p>x4</p> <p>Leg Leveler</p>	<p>20 FOR FIG. 8</p>  <p>x2</p> <p>Left Apron Corner</p>	<p>21 FOR FIG. 8</p>  <p>x2</p> <p>Right Apron Corner</p>




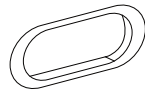

ACCESSORIES

22		x2
Soccer Ball		

HARDWARE

A1		x1	A2		x12	A3		x12	A4		x4
Allen Key			1/4"x1-1/4" Bolt			1/4" Washer			4x35mm Round Head Screw		
A5		x16	A6		x26	A7		x12	A8		x16
4x12mm Screw			4 x 28mm Bolt			4x35mm Flat Head Screw			4x15mm Screw		
A9		x26									
4mm Nut											

PRE-INSTALLED PARTS

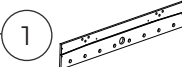






P1		x16	P2		x2	P3		x16	P4		x2
Plastic Rod Bushing			Plastic Ball Entry Rim			T - Nut			Ball Return Cover		
P5		x2									
Goal Box											

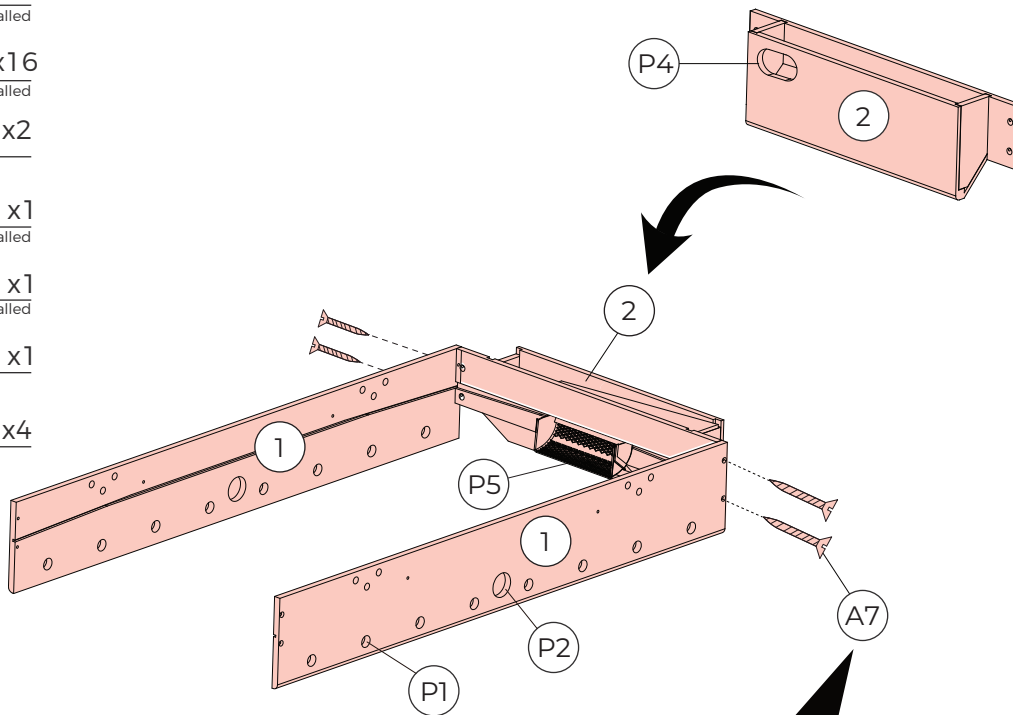
BEFORE ASSEMBLY

1. Find a clean, level place to begin the assembly of your product.
2. Verify that you have all listed parts as shown on the parts list pages. If any parts are missing, call our customer service.

ASSEMBLY

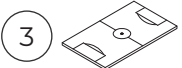
FIG. 1

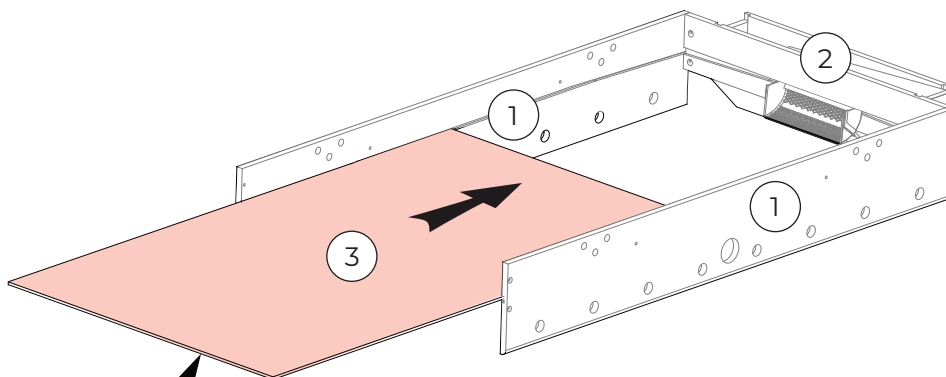
-  1 x2
Pre-installed
-  P1 x16
Pre-installed
-  P2 x2
-  2 x1
Pre-installed
-  P4 x1
Pre-installed
-  P5 x1
-  A7 x4



Note: Do not tighten the screws at this step.

FIG. 2





-  3 x1

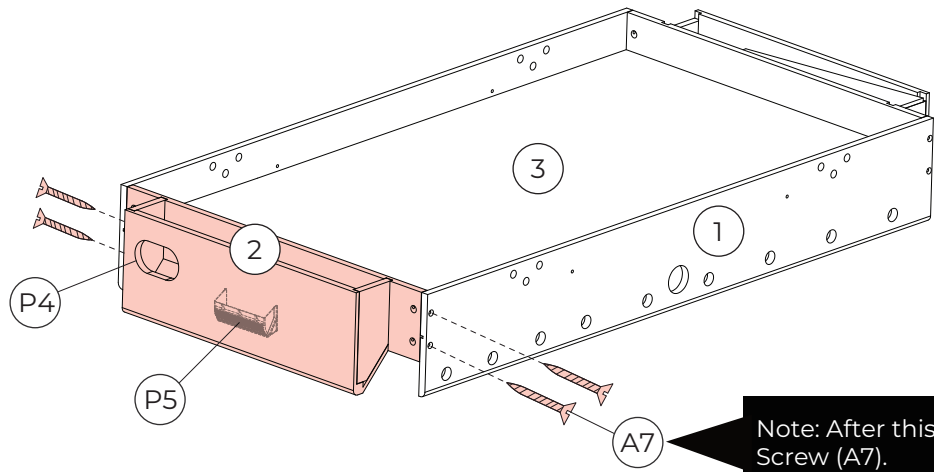


Note: Playfield graphic should face down when assembling.

ASSEMBLY



FIG. 3

- 2  x1
Pre-installed
- P4  x1
Pre-installed
- P5  x1
- A7  x4



Note: After this step, tighten Screw (A7).

FIG. 4

- 6  x2
- A4  x4

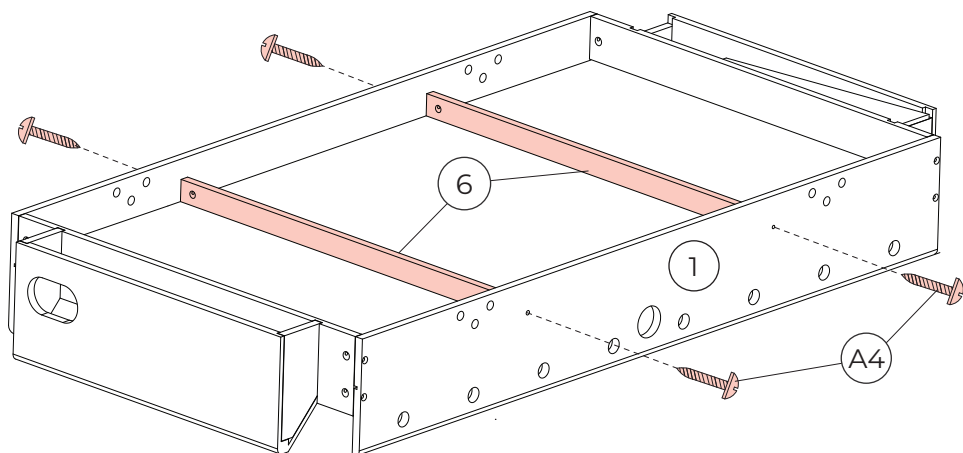


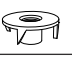
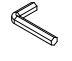
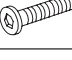

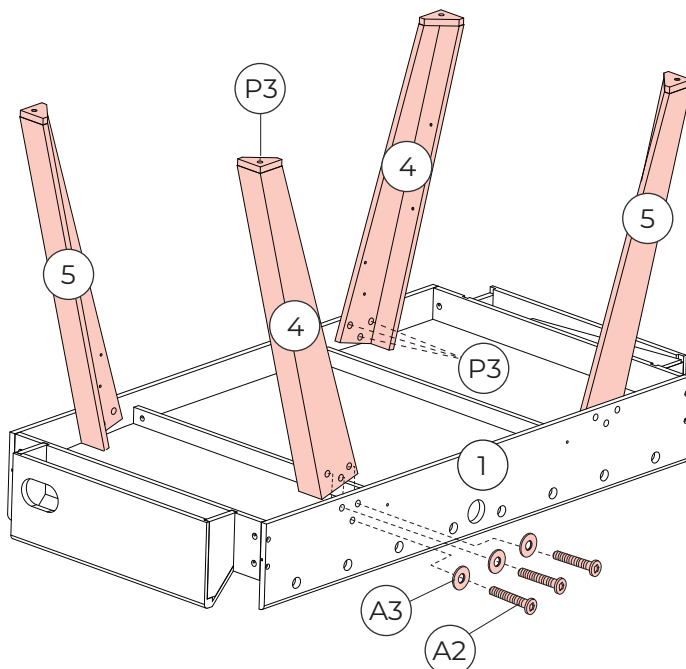


FIG. 5



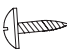
- 4  x2
- 5  x2
Pre-installed
- P3  x16
- A1  x1
- A2  x12
- A3  x12



Note: DO NOT over tighten bolts.

ASSEMBLY

FIG. 6

- 8  x2
- 19  x4
- A8  x8

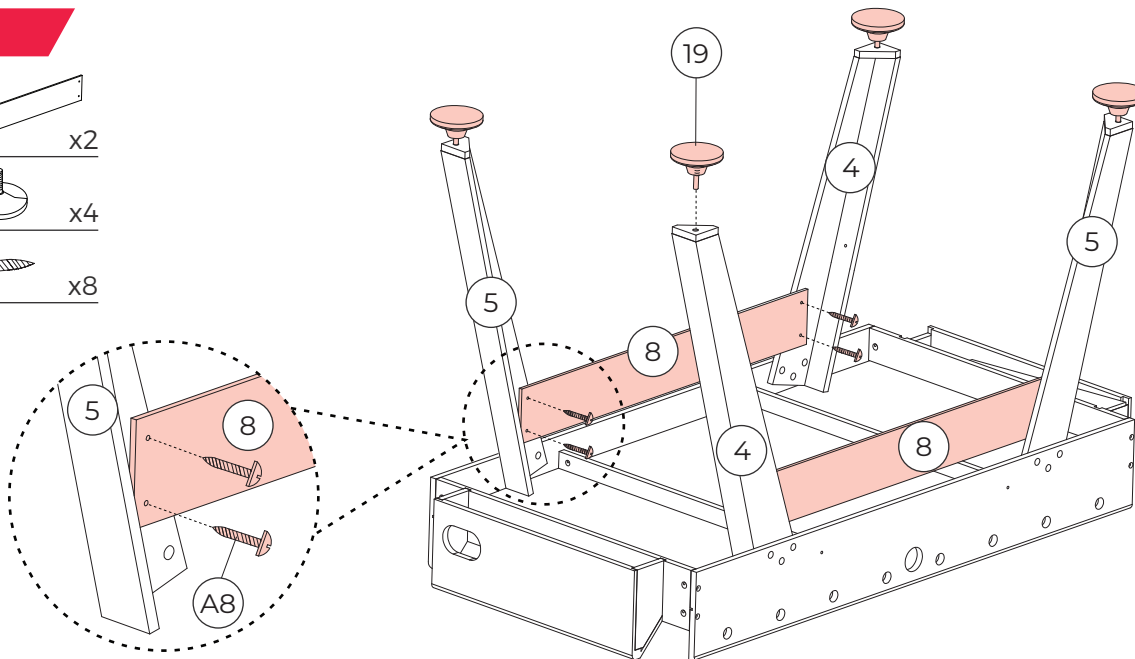
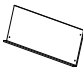

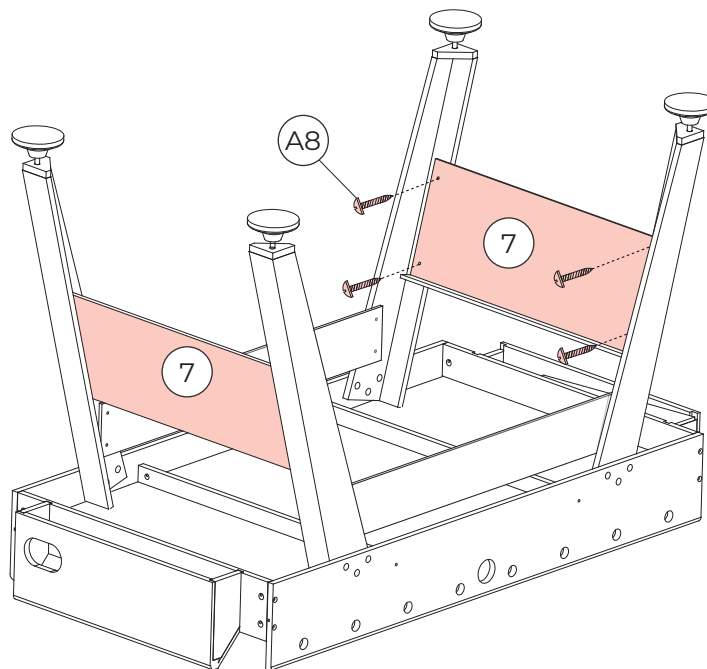
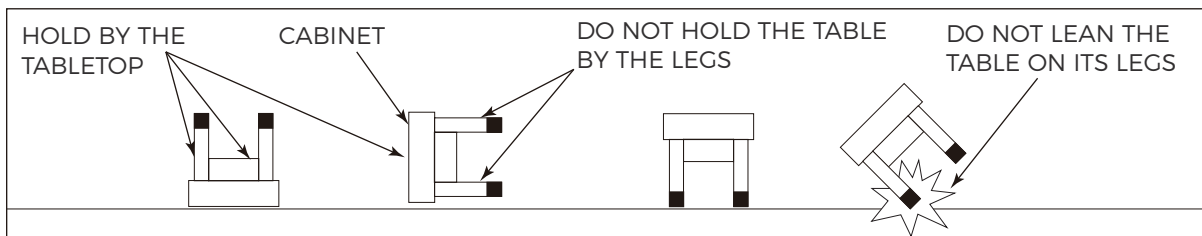


FIG. 7

- 7  x2
- A8  x8



Note: Go back and make sure that all connections are tight.






CAUTION

- Two strong adults are recommended to turn over the table as shown.
1. Lift the table off the ground.
 2. Turn the table over.
 3. Place it on all four feet at the same time on the ground.

ASSEMBLY

FIG. 8

-  (20) x2
-  (21) x2
-  (A5) x16

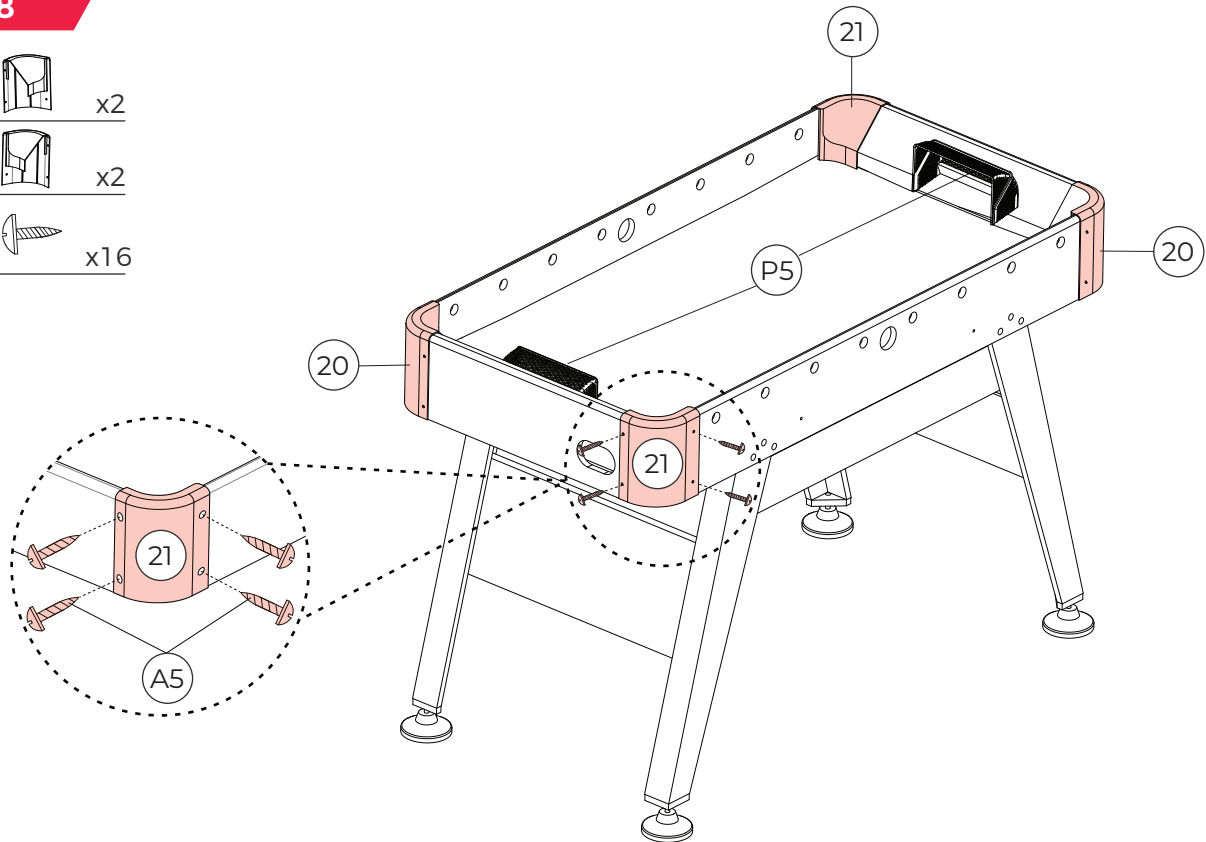

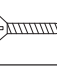
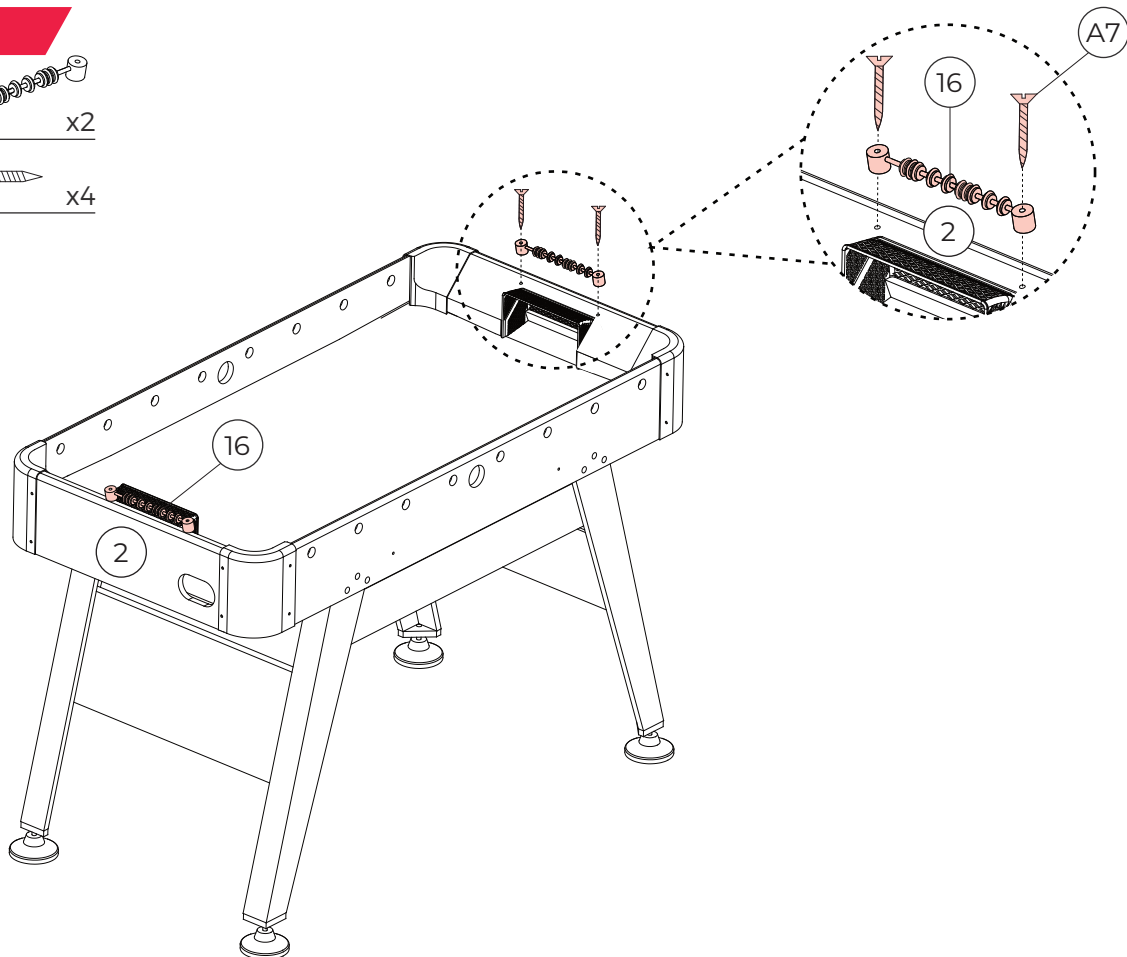








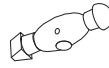
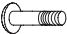

FIG. 9

-  (16) x2
-  (A7) x4

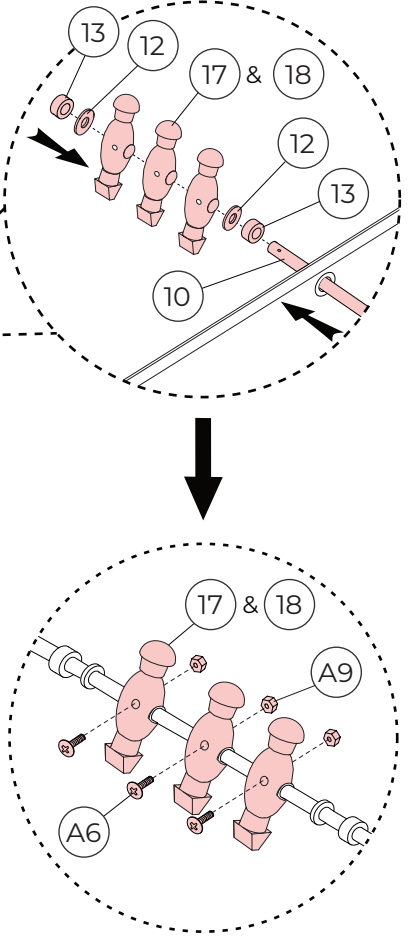
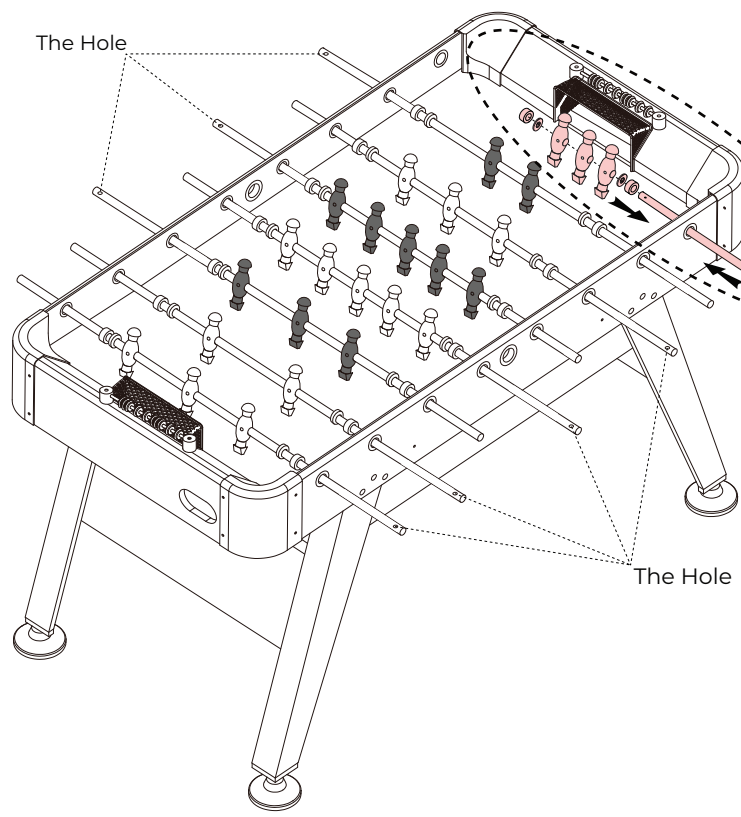
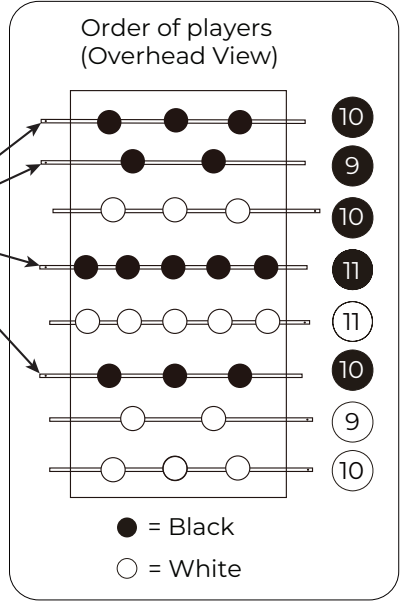


ASSEMBLY

FIG. 10

- 9  x2
- 10  x4
- 11  x2
- 12  x16
- 13  x16
- 17  x13
- 18  x13
- A6  x26
- A9  x26

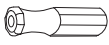
Note: The Rods have a hole at the end where their Handles will go.




Note: Players of the same team color should have Handles on the same side, and each team's player should be facing their opponent.

ASSEMBLY

FIG. 11

14  x8

15  x8

